

150ft x 3/8" (45m) Hose Reel on 'A' Frame

HP-HRM150A

STREAMLINE[®]
SPECIFICATION SHEET

Features:

- Friction Brake
- Direct hand-crank rewind with locking mechanism
- Solid steel construction
- Durable powdercoat finish
- Full flow swivel Stainless swivel

Safety Precautions

1. Make sure incoming pressure does not exceed the rated pressure.
2. Use proper eye protection when assembling and using the hose reel.
3. Use thread sealant (not provided) on inlet threads and on outlet hose (not provided)
4. Attach hose reel hose to hose reel outlet in hub
5. Attach pump hose to hose reel swivel.
6. The hose reel is ready for operation.

Assembly & Operating Instructions

1. Connect the handle to the axle
2. Use 1/2" or 13 mm bolts when securing the hose reel to ceiling or wall.
3. Use thread sealant (not provided) on inlet threads and on outlet hose (not provided).
4. Attach hose reel hose to hose reel outlet in hub.
5. Attach hose reel hose to swivel on hose reel
6. The hose reel is ready for operation.

WARNING:

Exposure of skin directly to pressurized air or fluids could result in severe bodily injury!



Specifications

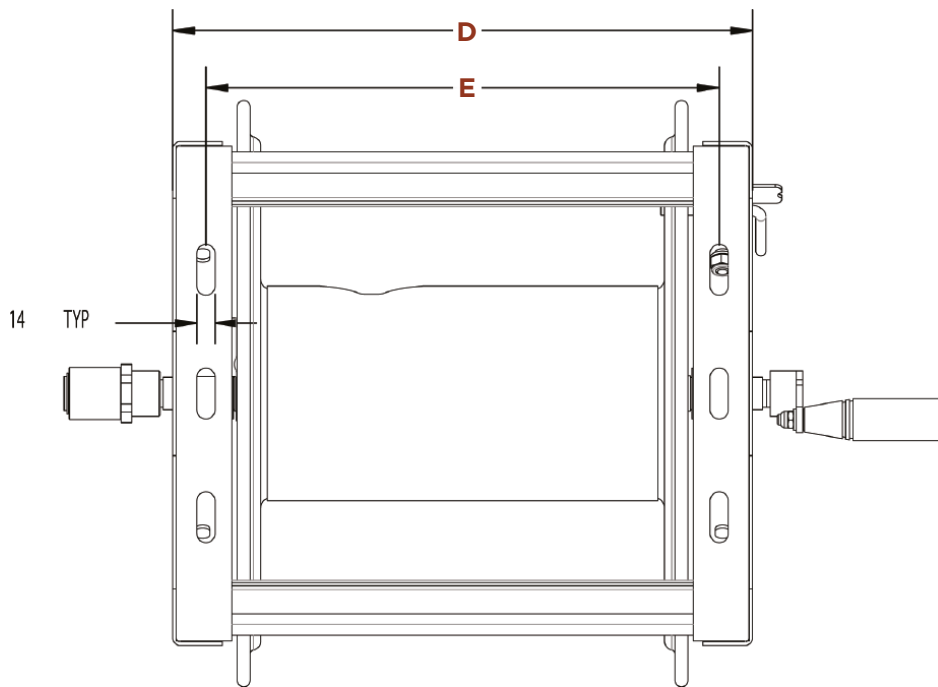
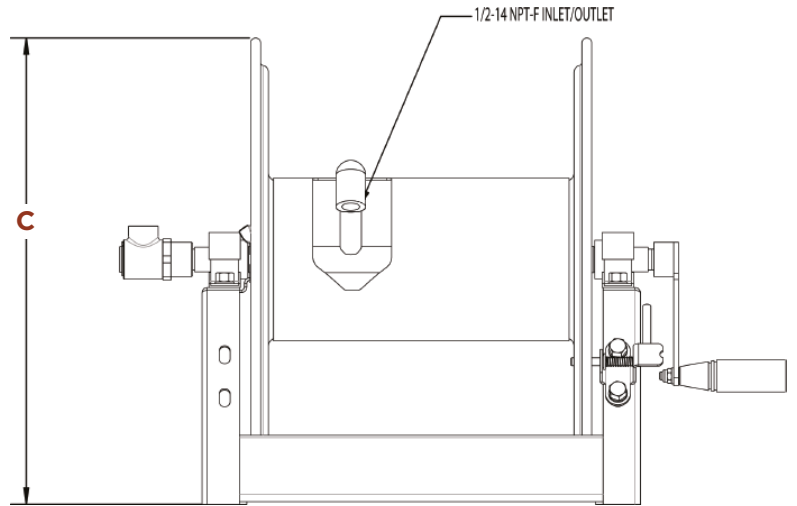
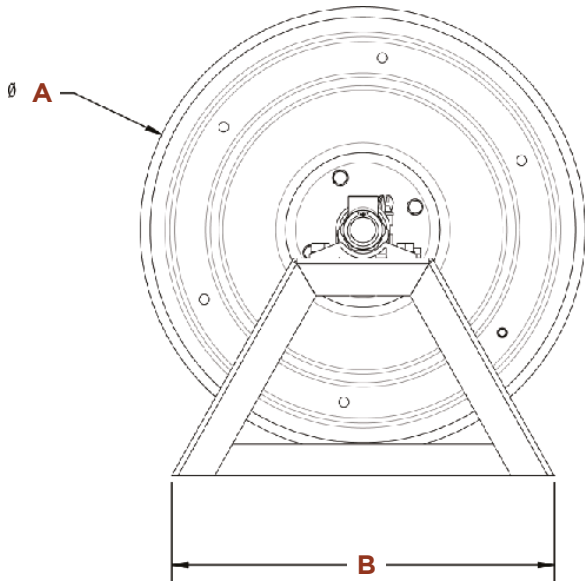
Model	3/8" Capacity	Swivel Pressure Rating	Inlet	Outlet
HP-HRM150A	150ft	5000 PSI	1/2" NPT-F	1/2" NPT-F
HP-HRM300A	300ft	5000 PSI	1/2" NPT-F	1/2" NPT-F

Maximum Temperature Rating: 3000°F

150ft x 3/8" (45m) Hose Reel on 'A' Frame

HP-HRM150A

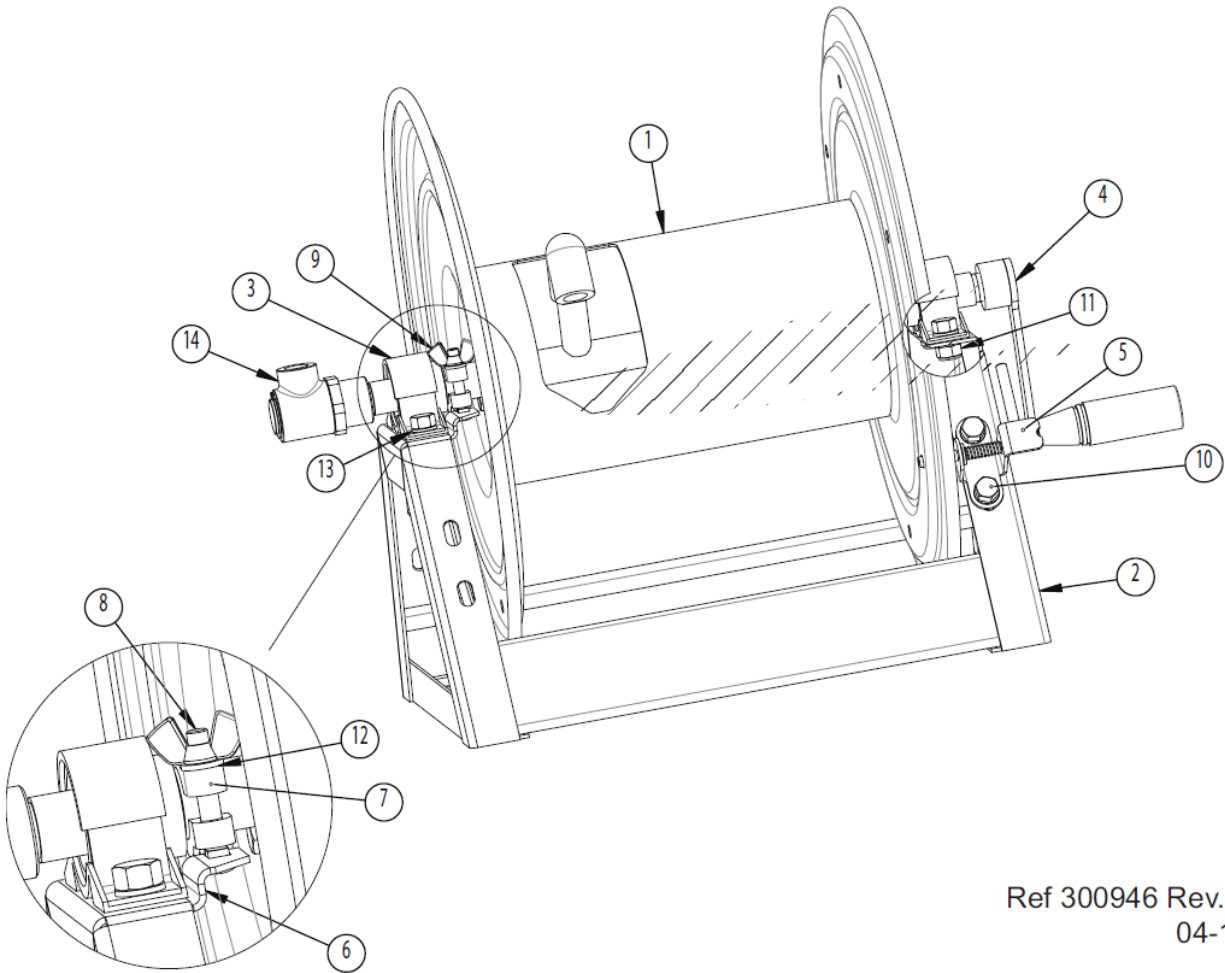
STREAMLINE[®]
SPECIFICATION SHEET



	Dimensions (mm)				
	A	B	C	D	E
HP-HRM150A	450	387	473.6	315	264
HP-HRM300A	450	387	473.6	445	394

150ft x 3/8" (45m) Hose Reel on 'A' Frame

HP-HRM150A



Ref 300946 Rev. A
04-14

Parts List			
Item	Part #	Description	Qty
1	2103242	ASSY, HUB & FLANGE, DHRA50300	1
	2103247	ASSY, HUB & FLANGE, DHRA50150	
2	2103243	FRAME, HOSE REEL, DHRA50300	1
	2103248	FRAME, HOSE REEL, DHRA50150	
3	2640025	PILLOW BLOCK	2
4	2103244	ASSY, CRANK	1
5	2103245	ASSY, LOCK PIN	1
6	2540087	BRACKET, BREAK	1
7	2660268	BRAKE	1
8	2200103	BOLT, M6	1
9	2203018	NUT, WING, M8	1
10	2200104	BOLT, M10	6
11	2203017	NUT, M10, NYLOK, SST	6
12	2200013	WASHER, M8	1
13	2203413	WASHER, FLAT, 10	12
14	2103246	SWIVEL	1