

# 50ft x 3/8" (45m) Hose Reel

HP-HRM100D / HP-HRM150D



## Features:

- Direct hand-crank rewind with locking mechanism
- Solid steel construction
- Durable powdercoat finish
- Full flow swivel brass joint

## Safety Precautions

1. Make sure incoming pressure does not exceed the rated pressure.
2. Use proper eye protection when assembling and using the hose reel.
3. Assemble the hose reel on a clean workbench free of debris and moisture.
4. Use soap and water when checking for air leaks.
5. Keep children away from work area.

## Assembly & Operating Instructions

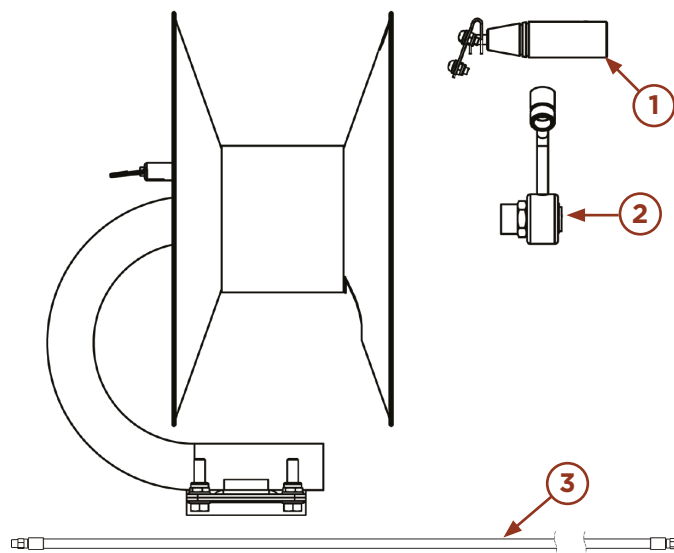
1. Connect the handle to the flange. Nuts go on handle side of flange.
2. Use (4) 3/8" or 10 mm bolts when securing the hose reel to ceiling or wall.
3. Use the provided nuts, bolts and mounting bracket when securing hose reel to a cart.
4. Use thread sealant (not provided) on inlet threads and on outlet hose (not provided).
5. Attach pigtail end to high pressure pump outlet.
6. Attach hose reel hose to swivel on hose reel
7. The hose reel is ready for operation.

### WARNING:

Exposure of skin directly to pressurized air or fluids could result in severe bodily injury!



SPECIFICATIONS				
Model	3/8" Capacity	Swivel Pressure Rating	Inlet	Outlet
DHR50100D	100ft	5000 PSI	3/8" NPT-M	3/8" NPT-F
DHR50150D	150ft			
DHR50200D	200ft			
MAXIMUM TEMPERATURE RATING 185°F				

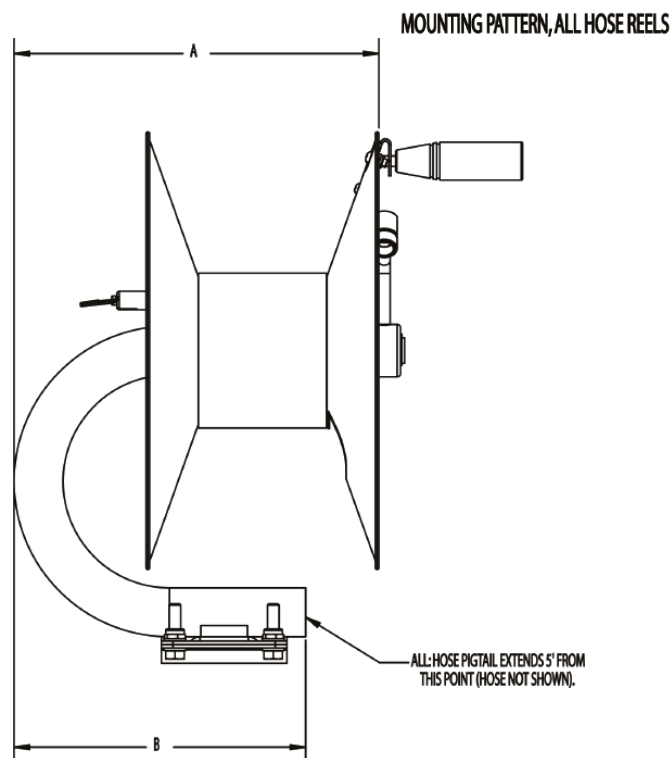
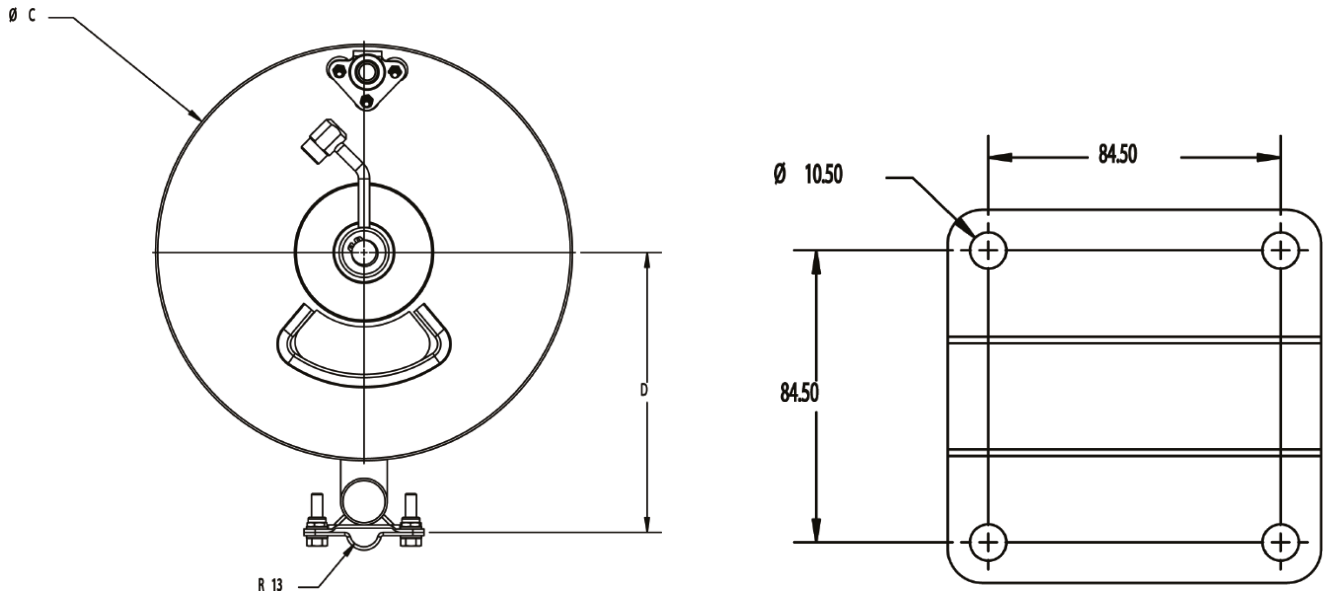


PARTS LIST			
	Item		
	1	2	3
DHR50100D	100056	2103051	2702006
DHR50150D	100056	2103051	2702009
DHR50200D	100056	2103051	2702050
2100278	SWIVEL REPAIR KIT		

# 50ft x 3/8" (45m) Hose Reel

HP-HRM100D / HP-HRM150D

## Dimensions



### DIMENSIONS (MM)

	A	B	C	D
DHR50100D	313.4mm	250.4mm	375.5mm	252.4mm
DHR50150D	411.5mm	348.4mm	375.5mm	252.4mm
DHR50200D	503.5mm	364.4mm	375.5mm	252.4mm