

HIGHLINE™

Flat Surface Cleaner

HP-HSC300

Features:

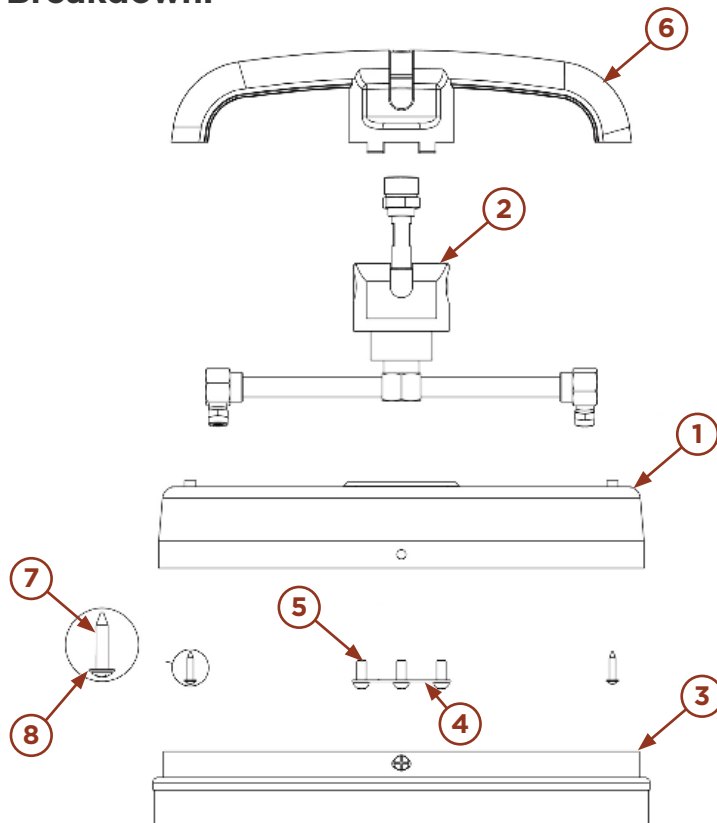
- Full 12" cleaning path
- Can be connected directly to gun, lance, telescoping wand
- Lightweight, anodized aluminum components
- Durable polypropylene deck and handle



Specifications:

Operating Pressure	1,500 - 3,500 PSI
Max Flow	6.0 GPM
Dimensions	12.7" x 5.8"
Weight	4.0 lbs

Breakdown:



No.	Description
1	Deck 12"
2	Swivel, FSC, 12"
3	Assy, Brush
4	Plate, Retaining
5	Bolt, M6 x 14
6	Handle
7	Screw
8	Washer

WARNING:

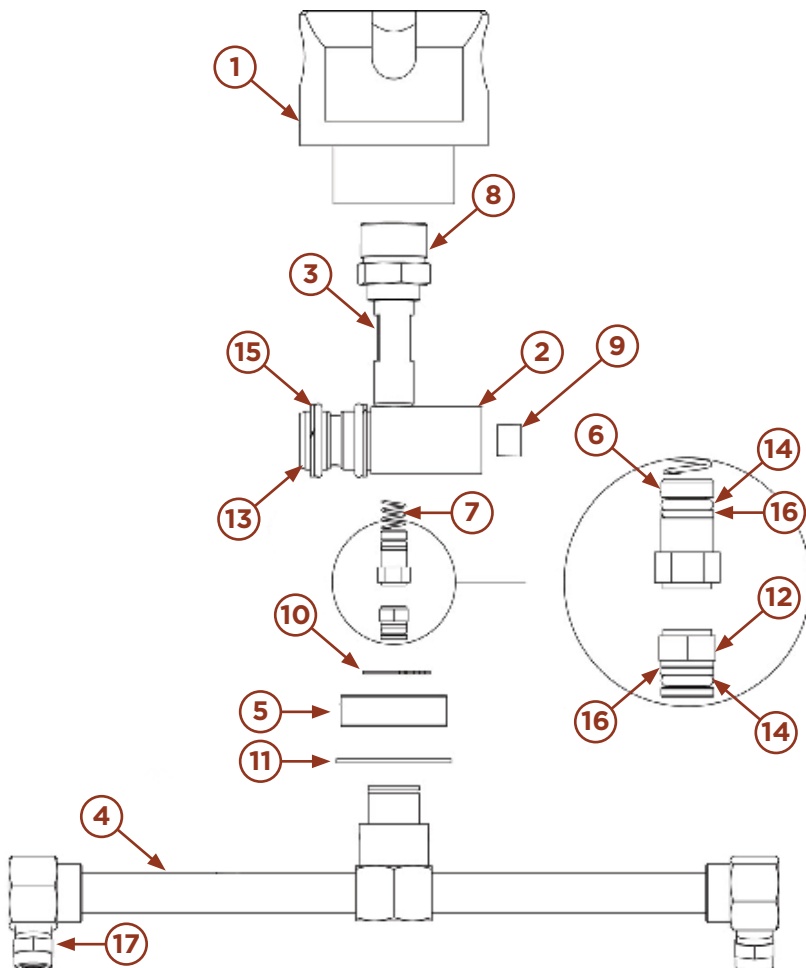
Read before operating machine

- Always wear protective eye wear Keep clear of rotating nozzles
- Never lock trigger gun open with any device
- Drain water in cold weather to avoid freezing
- Tampering with any part of this machine will void all warranties

Assembly / Operating Instructions

1. Connect directly to gun, lance or telescoping wand.
2. Turn water on and open trigger gun for flow of water through nozzles. Nozzles must have flowing spray. If not, remove tips and clean; reassemble, making sure nozzle groove is parallel to spray bar. Use thread sealant when installing nozzles.
3. Start pressure Washer. The flat surface cleaner is ready for operation.
4. Move the flat surface cleaner slowly across surface. If striping occurs, slow down your pace.
5. Periodically check weep hole on bottom of swivel. Water may seep slowly; if water sprays out, stop and replace swivel.
6. For maximum effectiveness keep spray tips clean. If the machine vibrates, stop and clean spray tips.

Breakdown:



No.	Description	Qty.
1	Housing, Swivel	1
2	Swivel, Inlet	1
3	Tube, Inlet	1
4	Assy, Arm, 12"	1
5	Bearing, Ball	1
6	Stem, Upper	1
7	Spring	1
8	Fitting, M22	1
9	Plug, Pipe, 1/4 NPT	1
10	Snap Ring	1
11	Snap Ring	1
12	Stem, Lower	1
13	O-ring	2
14	O-ring	2
15	Back-up Ring	2
16	Back-up Ring	2
17	Nozzle	2

DO NOT ALLOW MACHINE TO REMAIN STATIONARY ON SOFT SURFACES SUCH AS WOOD.

CAUTION: Striking any raised obstacle during operation will damage machine. If contact does occur and results in vibration when operating machine, STOP and replace spray bar. Continued operation could result in serious injury or damage to machine.