

 **STREAMLINE®**

INSTRUCTION MANUAL

**STREAMLINE®**

Codes:  
SFC16

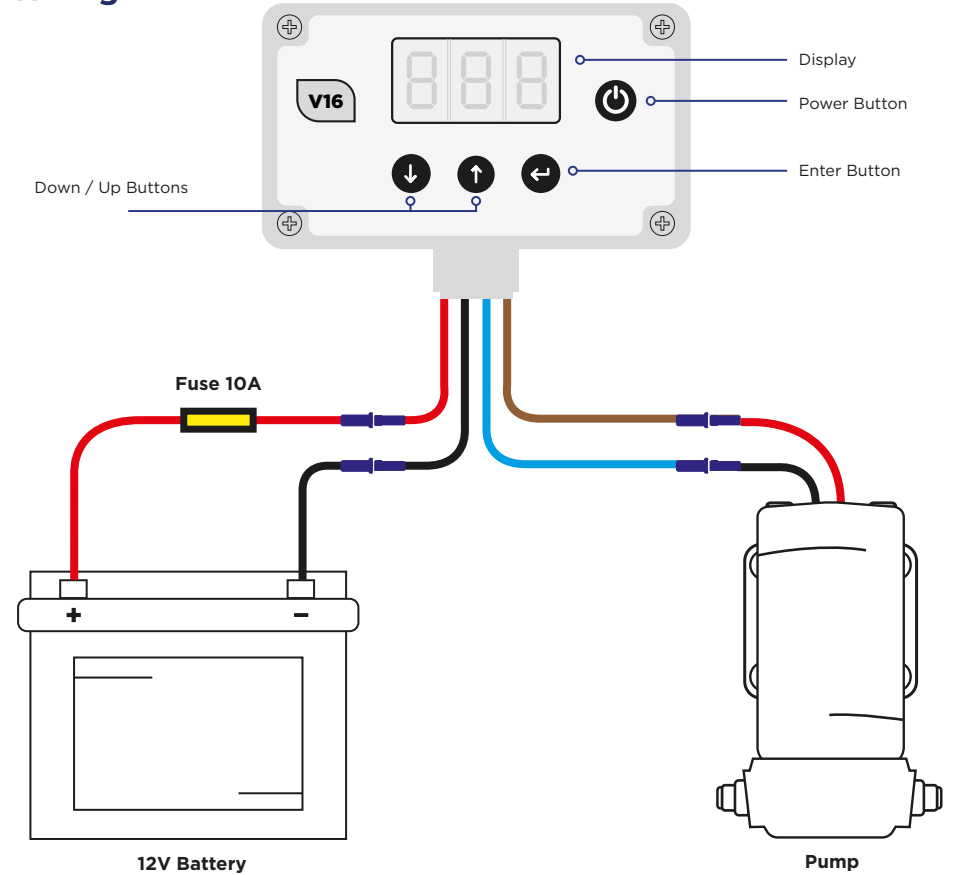


English


INSTR-SFC16

- 1. **Wiring** ..... 3
- 2. **Operating Warnings** ..... 4
- 3. **Set Up Auto Calibrate** ..... 5 - 6
- 4. **Operation** ..... 7
  - Controller Messages ..... 8
- 5. **Why STREAMLINE®?** ..... 9
- 6. **STREAMLINE® Warranty** ..... 10

## Wiring



Connect the pump controller in accordance with this diagram.  
 NOTE: only fit the fuse once all connections are made



**Important**  
 The Fuse for this unit is a 10A Fuse. Make sure correct fuse is fitted in-line, close to the battery end of the RED (positive) wire. Failure to do so will result in damage to the unit.

**2 Operating Warnings**

**Operating Warnings**


Adjust the flow settings carefully. Repeated false dead-end detection indicates that the Cal value should be increased (less sensitive).

For safety wire through the pump pressure switch. (The pressure switch can be bypassed if absolutely necessary - the unit will protect itself under normal conditions.)

This is a WATER PUMP controller: it will not work with air in the system. Always prime the system before starting work. If air in the system causes false dead-end detection, increase Cal value until air is removed.

Do not set the Cal value too high. Setting it higher than necessary places extra strain on both the pump and the controller in a dead end situation. This can result in damage to both the pump and your controller.

Specification	Value
Supply Voltage	11 - 15 VDC
Maximum Current	15A
Typical Drive Current	8A
Voltmeter Accuracy	+ - 100mV
Enclosure Material	ABS
Water Resistance	IP65
Dimensions	115 x 65 x 40 (mm)
Working Temperature	0 - 40 Deg C

 **Important**  
Your battery is at risk of permanent damage if you disable low battery cut-off and continue to use your controller for long periods when the battery voltage has fallen below +10.5V.

**3 Set Up Auto Calibrate**

**Set Up Auto Calibrate**

	Button	Display
Connect your hose and pole + brush to the pump. Turn on the controller by pressing the power button.		
Press up until the display shows 30.		
Press and hold the up and enter buttons to calibrate. CAL will be displayed.	 + 	
To select Auto Cal continue to press the down button until AUT is displayed. Press the enter button to start. Auto Cal starts from C99.	 + 	
After several moments the calculated CAL value (e.g. C50) will be displayed and the controller is ready to use. Press enter to exit calibration.		

The CAL value can be adjusted manually by following the same steps and adjusting the CAL value by pressing the up or down button instead of using AUt.



To enable or disable the low battery cut-off\* (that stops your pump when the battery voltage is below 10.5V) press and hold the down and enter buttons.

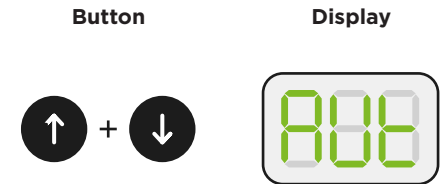
Then use the up or down button to select ON or OFF. Press enter to save.



**NOTE:** 'ON' keeps your battery protected.

## Operation

To select Auto Cal continue to press the down button until AUt is displayed. Press the enter button to start. Auto Cal starts from C99.



Press enter to display the current battery voltage.



Press enter again to return to the current flow rate.



To turn the controller off, press the power button.



## Controller Messages

Message	Description
	An error has occurred while using AutoCal. This will happen when the motor is not connected or the enter button has been pressed to cancel it.
	Pressure switch activated or pump disconnected
	A dead end has been detected. If this is not the case, try increasing the calibration value.
	This message will start to flash when the battery is low (<11.0V). If the battery is below 10.5V the pump will be disabled to protect the battery (unless low battery cut-off is disabled)
	An over current has been detected, the controller has shut down the pump to protect itself. Lower the flow rate and check the hose for blockages.

## Why STREAMLINE®?

### Flexibility

- **STREAMLINE®** systems can be built according to customers' exact requirements
- For non-standard systems, the user's needs or specifications are listened to and turned into reality.

### Quality

- Whilst price is important, quality is remembered long after price is forgotten
- We insist on sourcing brand name products from around the world, only of a reputable quality, and bring them together under the **STREAMLINE®** name
- All **STREAMLINE®** products carry a full one year's warranty, according to the manufacturers' standard terms and conditions of sale.

### Service

- We have an in-house technical helpline able to answer most of your questions relating to the capabilities and functionalities of all **STREAMLINE®** products
- If we get it wrong, we will put it right. If you are sent a wrong item, we will immediately attend to sending you the correct item and arrange a collection of the wrong item without any quibbles
- **STREAMLINE®** is backed by a comprehensive range with massive stocks providing you with a 'one stop shop' for all your requirements.



MANUFACTURED  
IN THE  
UNITED KINGDOM



CHECKED AND  
TESTED BY  
QUALITY CONTROL





Hamilton House, 8 Fairfax Road,  
Heathfield Industrial Estate,  
Newton Abbot  
Devon, TQ12 6UD  
United Kingdom

Telephone: +44 (0) 1626 830 830  
Email: [sales@streamline.systems](mailto:sales@streamline.systems)  
Visit [www.streamline.systems](http://www.streamline.systems)

INSTR-SFC16